



Ty-Rap®

T&B Catalog Number: TYP28MX
UPC Number: 78621082536
Description: Cable Tie 30lb 14" Ultraviolet Resistant Black Polypropylene with Stainless Steel Locking Device
Status: Active

General	
Material	Weather-Resistant Polypropylene
Color	Black
Dimension Information	
Length (inches)	14.2
Width (inches)	.184
Max. Wire Bundle Diameter (inches)	4.00
Specifications	
Tensile Strength (lbs.)	30
Temperature Rating	-40°F to 185°F
Tooling	
Application Tools	ERG50, WT1-TB
Packaging	
T&B Order Multiple	1000
T&B Inner Pack	1000
Package in Units	5000
Package Type	Bulk
T&B Sold in UOM	Each
T&B Weight Per UOM	0.4 lbs. per 100
Application Support	
T&B Sales Drawings	wsd-000250
Overview	Available on Website
Material Selection Guide	Available on Website
Certifications	
RoHS Compliance	Yes

Ty-Rap

NOTES:

1. MATERIAL: WEATHERABLE POLYPROPYLENE, COLOR- BLACK
2. FLAMMABILITY: UL94 HB
3. OPERATING TEMPERATURE RANGE: -40°F [-40°C] TO 185°F [85°C]
4. MAXIMUM WIRE BUNDLE: SEE TABLE
5. PROVIDES GOOD RESISTANCE TO ULTRAVIOLET LIGHT
6. SUITED FOR CHEMICAL ENVIRONMENTS

CATALOG NUMBER	FIG.	MAX. WIRE BUNDLE DIA	TENSILE STRENGTH	A	B	C	D	F	G
TYP23MX	1	.625 [15,88]	18 LBS [80N]	3.437 [87,3]	.188 [4,78]	.036 [,91]	.153 [3,89]	.185 [4,7]	.092 [2,34]
TYP25MX	1	1.750 [44,45]	30 LBS [133N]	7.015 [178,18]	.296 [7,52]	.048 [1,22]	.220 [5,59]	.315 [8,0]	.186 [4,72]
TYP27MX	2	3.500 [88,9]	60 LBS [267N]	13.172 [334,57]	.328 [8,33]	.060 [1,52]	.320 [8,13]	.479 [12,17]	.270 [6,86]
TYP28MX	2	4.000 [101,6]	30 LBS [133]	13.921 [353,6]	.266 [6,76]	.047 [1,19]	.215 [5,46]	.323 [8,2]	.184 [4,67]

GENERAL NOTES

1. ALL DIMENSIONS ARE FOR REFERENCE ONLY.
2. DIMENSIONS IN BRACKETS [] ARE IN METRIC UNITS.

REVISIONS

- | | |
|---|---|
| 1 | SEE ERN 2007887 FOR APPROVAL SIGNATURES & RELEASE DATE.
PROJECT NO: FM401183 |
|---|---|

Thomas & Betts

DESCRIPTION:

WEATHER-RESISTANT POLYPROPYLENE TIES

ORIGINAL PROJECT NO / (ERN NO)

FM40183 / (200645)

SHEET NO:

1 OF 2

REV. NO:

1

DRAWING NO:

WSD-000250

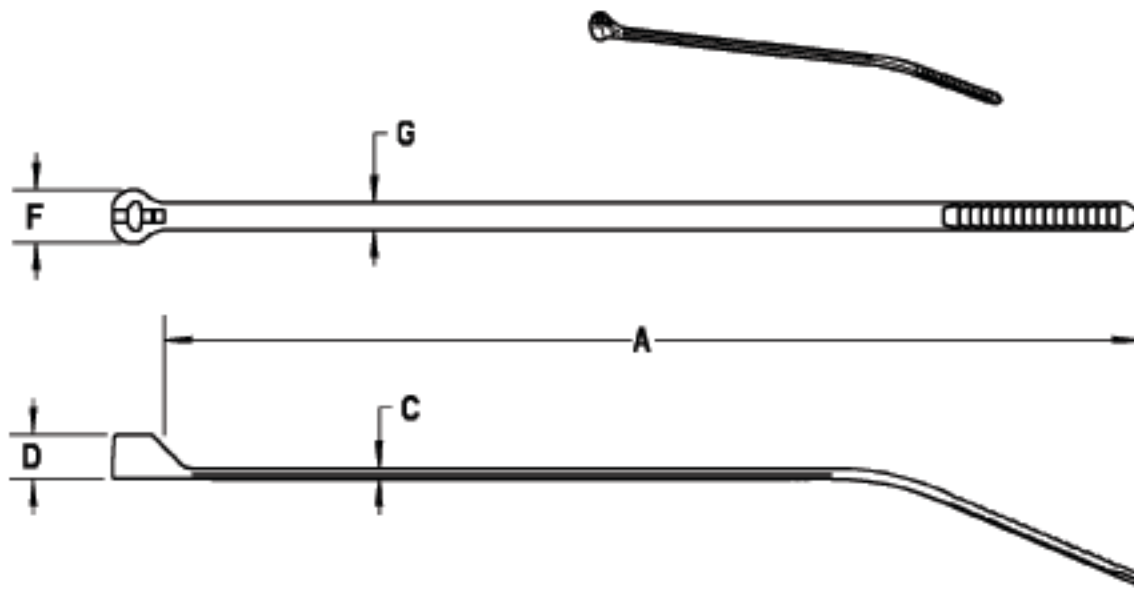


FIG. 1

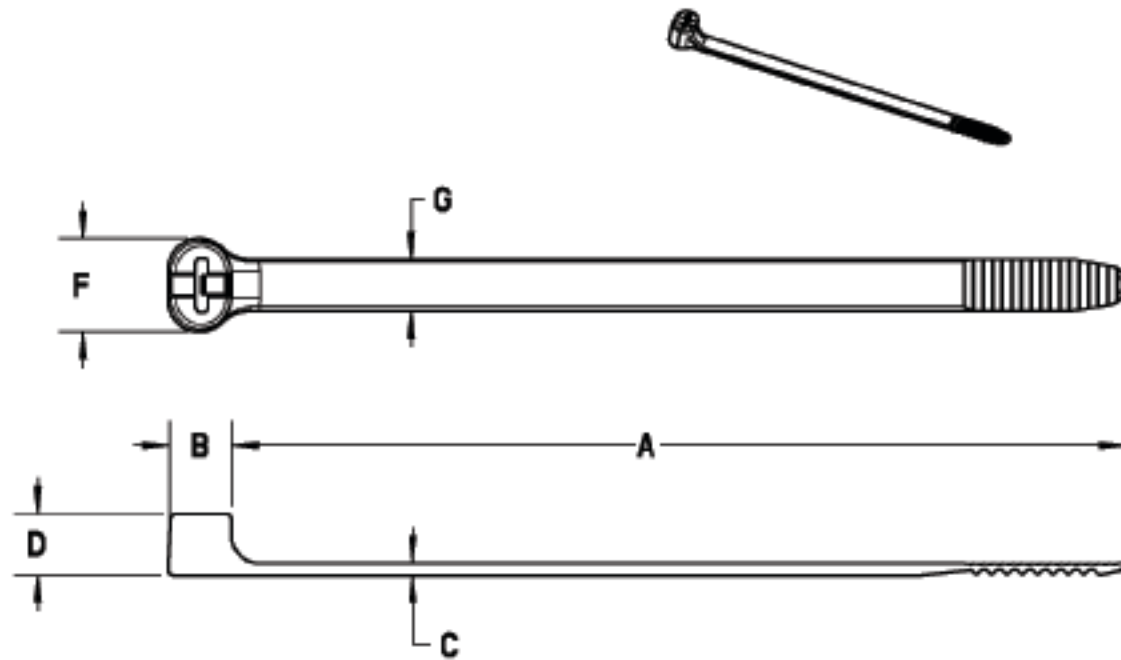


FIG. 2

Thomas & Betts

DESCRIPTION:

WEATHER-RESISTANT POLYPROPYLENE TIES

SHEET NO:

2 OF 2

REV. NO:

1

DRAWING NO:

WSD-000250

Ty-Rap®

Cable Ties for Special Applications



ULTRAVIOLET
RESISTANT



CHEMICAL
RESISTANT

Many factors combine to determine the useful life of a cable tie, but none is as important as chemical exposure. Polypropylene cable ties are ideally suited for chemical environments.



LOW
SMOKE

Ty-Rap® cable ties, made of halar®, are designed for use in air-handling spaces. Due to its UL 94V-0 flammability rating and low-smoke density characteristics, Halar® material is most suitable in applications where flame resistance and smoke generation is a concern.



ULTRAVIOLET
RESISTANT



RADIATION

Tefzel® cable ties offer high-radiation resistance and temperature stability to 302°F. Also, Tefzel® provides excellent resistance to ultraviolet light and meets U.L. flammability rating 94V-0.

Weather-Resistant Polypropylene Ties

Bulk Cat. No.	Body Width (in.)	Length (in.)	Max. Wire Bundle Dia. (in.)	Tensile Strength (lbs.)	Bulk Pkg.
TYP25MX	.184	7.31	1.75	30	1000
TYP28MX	.184	14.20	4.00	30	1000
TYP27MX	.270	13.20	3.50	60	500

Color – Black



Halar®* Cable Ties

Std. Cat. No.	Bulk Cat. No.	Body Width (in.)	Length (in.)	Max. Wire Bundle Dia. (in.)	Tensile Strength (lbs.)	Std. Pkg.	Bulk Pkg.
TYV523M**	TYV23M**	.091	3.62	.625	18	100	1000
TYV525M ⁽¹⁾	TYV25M ⁽¹⁾	.184	7.31	1.750	50	100	1000

* Solvay Solexis, Inc. registered trademark.

Color – Maroon

** CSA Certified Natural 6/6 Nylon Cable Ties are suitable for use in air handling spaces in accordance with rules 12-010 (3), (4) and (5), and 12-020 of the CEC.

(1) cULus



TEFZEL®* Cable Ties

Std. Cat. No.	Bulk Cat. No.	Body Width (in.)	Length (in.)	Max. Wire Bundle Dia. (in.)	Tensile Strength (lbs.)	Std. Pkg.	Bulk Pkg.
TYZ523M**	TYZ23M**	.091	3.62	.625	18	100	1000
TYZ525M ⁽¹⁾	TYZ25M ⁽¹⁾	.184	7.31	1.750	50	100	1000
TYZ528M	TYZ28M	.184	14.19	4.000	50	100	1000
TYZ527M	TYZ27M	.301	13.38	3.500	120	50	500

* DuPont registered trademark.

Color – Aqua

** CSA Certified Natural 6/6 Nylon Cable Ties are suitable for use in air handling spaces in accordance with rules 12-010 (3), (4) and (5), and 12-020 of the CEC.

cULus